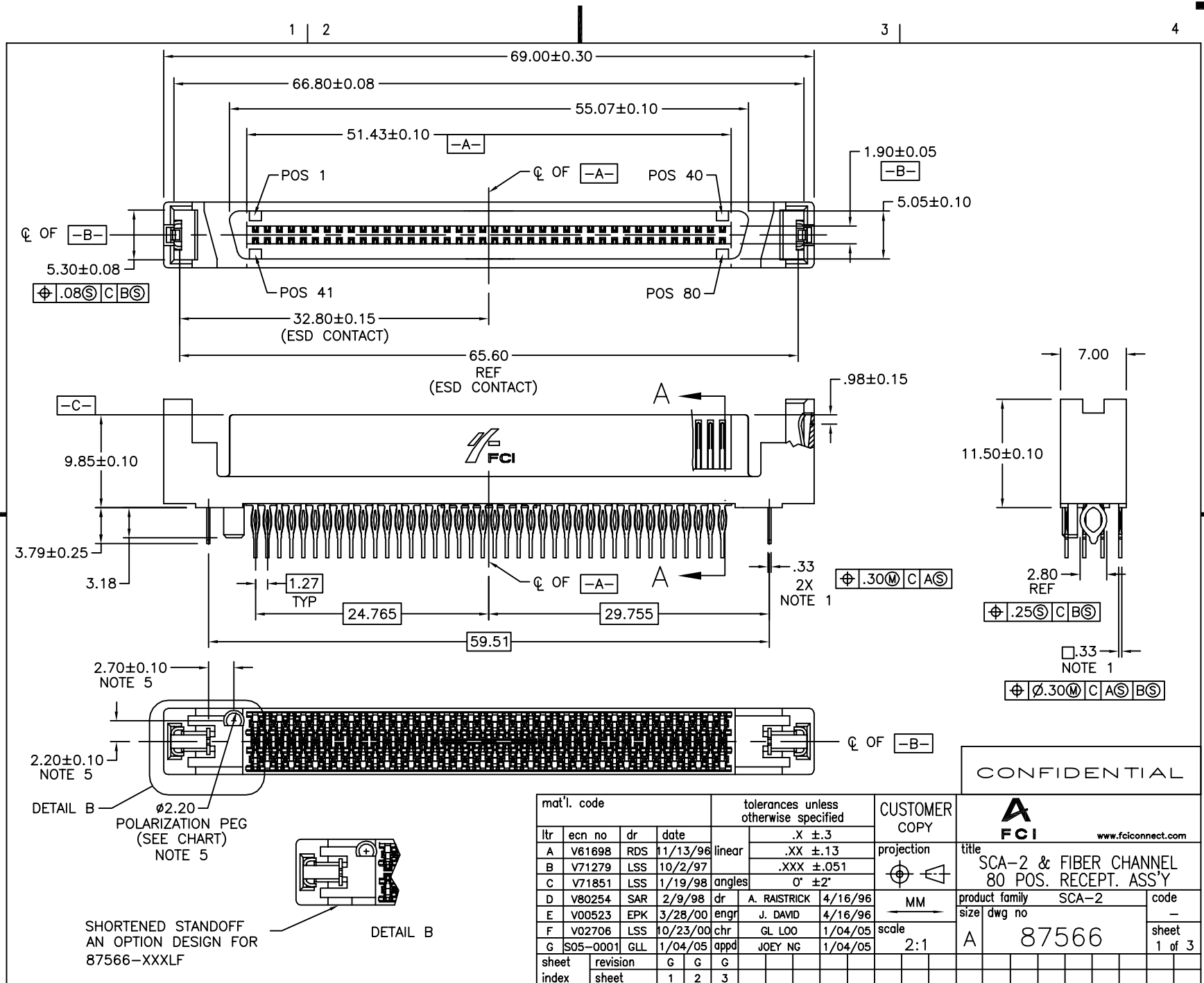


Tous droits strictement reserves. Reproduction ou communication a des tiers interdite sous quelque forme que ce soit sans autorisation ecrite du proprietaire. Propriete de c FCI. Droits de reproduction FCI.

All rights strictly reserved. Reproduction or issue to third parties in any form whatever is not permitted without written authority from the proprietor. Property of FCI. Copyright FCI.



CONFIDENTIAL

mat'l. code				tolerances unless otherwise specified		CUSTOMER COPY
ltr	ecn no	dr	date	.X ±.3		
A	V61698	RDS	11/13/98	.XX ±.13		
B	V71279	LSS	10/2/97	.XXX ±.051		MM
C	V71851	LSS	1/19/98	0° ±2°		
D	V80254	SAR	2/9/98	dr	A. RAISTRICK	4/16/96
E	V00523	EPK	3/28/00	engr	J. DAVID	4/16/96
F	V02706	LSS	10/23/00	chr	GL L00	1/04/05
G	S05-0001	GLL	1/04/05	appd	JOEY NG	1/04/05
sheet	revision	G	G	G		
index	sheet	1	2	3		

		www.fciconnect.com	
title			
SCA-2 & FIBER CHANNEL			
80 POS. RECEPT. ASS'Y			
product family		SCA-2	
size		dwg no	
A		87566	
sheet		1 of 3	

cage code 22526

ACAD

PDM: Rev:G

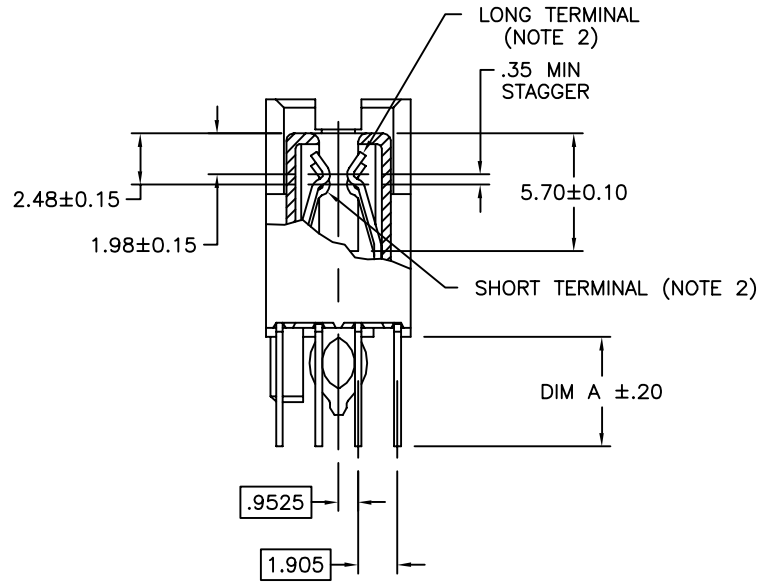
STATUS: Released

Printed: Apr 17, 2007

Tous droits strictement reserves. Reproduction ou communication a des tiers interdite sous quelque forme que ce soit sans autorisation ecrite du proprietaire. Propriete de c FCI. Droits de reproduction FCI.



All rights strictly reserved. Reproduction or issue to third parties in any form whatever is not permitted without written authority from the proprietor. Property of FCI. Copyright FCI.



SECTION A-A

CONFIDENTIAL

mat'l. code				tolerances unless otherwise specified		CUSTOMER COPY		 www.fciconnect.com			
ltr	ecn no	dr	date	linear	.X ±.3	projection		title			
G					.XX ±.13			SCA-2 & FIBER CHANNEL		code	
					.XXX ±.051			80 POS. RECEP. ASS'Y		-	
				angles	0° ±2°	MM		product family	SCA-2	code	
				dr	A. RAISTRICK	4/16/96	scale	size	dwg no	sheet	
				engr	J. DAVID	4/16/96		A	87566	2 of	
				chr	GL L00	1/04/05					
				appd	JOEY NG	1/04/05					
sheet index	revision sheet										

cage code
22526

ACAD

PDM: Rev:G

STATUS: Released

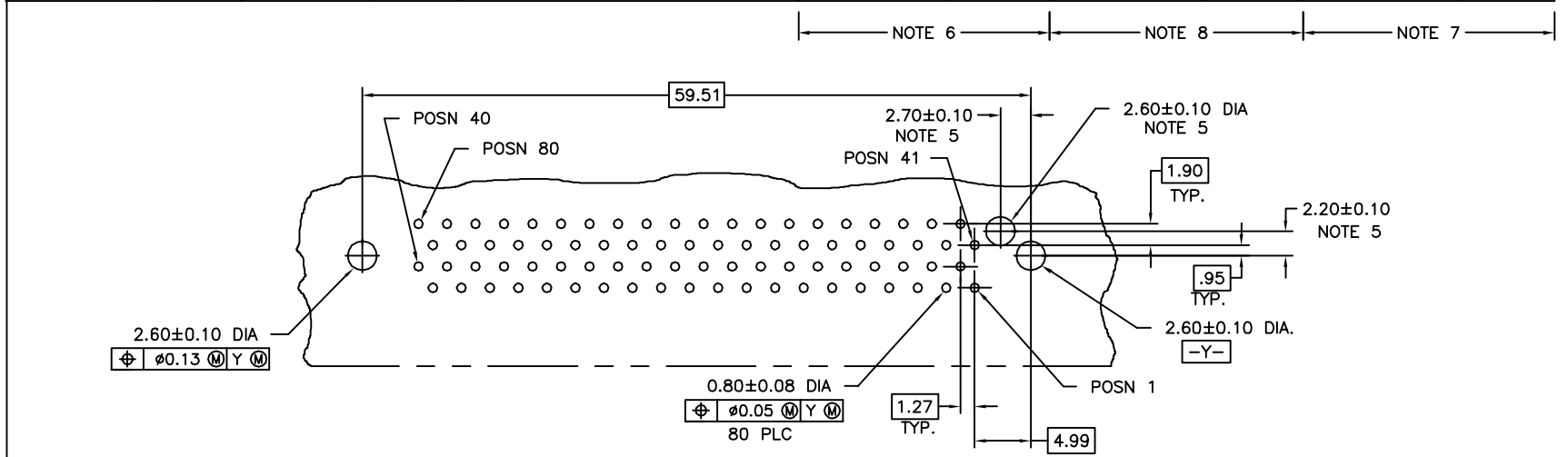
Printed: Apr 17, 2007

Tous droits strictement reserves. Reproduction ou communication a des tiers interdite sous quelque forme que ce soit sans autorisation ecrite du proprietaire. Propriete de c FCI. Droits de reproduction FCI.

FCI

All rights strictly reserved. Reproduction or issue to third parties in any form whatever is not permitted without written authority from the proprietor. Property of FCI. Copyright FCI.

PRODUCT NO.	"A" DIM	POLARIZATION PEG	PLATING	RECOMMENDED P.C. BOARD THICKNESS	PRODUCT NO.	PLATING	PRODUCT NO.	PLATING	PRODUCT NO.	PLATING
87566-001	3.79	YES	NOTE ④	2.36mm (0.093") AND 3.18mm (0.125")	87566-101	NOTE ⑥	87566-001LF	NOTE ⑧	87566-101LF	NOTE ⑦
-002	3.79	NO			-102		-002LF		-102LF	
-003	4.60	YES			-103		-003LF		-103LF	
87566-004	4.60	NO			87566-104		87566-004LF		87566-104LF	



NOTES :

- ① TRUE POSITION NOTES APPLY AT TERMINAL TIP.
- ② CONTACTS IN POSITIONS 2 THRU 35, 44 AND 47 THRU 74 ARE SHORT TERMINALS. CONTACTS IN POSITIONS 1, 36 THRU 43, 45, 46, AND 75 THRU 80 ARE LONG TERMINALS.
- ③ RAW MATERIALS:
HOUSING: HTN, UL94V-0, COLOR: BLACK
CONTACTS: PHOSPHOR-BRONZE
- ④ CONTACT PLATING: 30u" (0.76um) MIN. GXT PLATING OVER 50u" (1.27um) NICKLE MIN. UNDERPLATE IN CONTACT AREA. 20u" (0.5um) MIN. 60u" (1.5um) MAX TIN-LEAD PLATING OVER 50u" (1.27um) MIN. NICKLE UNDERPLATE IN P.C. BOARD LEG AREA. 50u" (1.27um) MIN. NICKLE UNDERPLATE OVER REMAINING AREA.
- ⑤ DIMENSIONS DO NOT APPLY TO CONNECTOR STYLES WITHOUT POLARIZATION PEG. (SEE CHART)
- ⑥ CONTACT PLATING: 30u" (0.76um) MIN GOLD PLATING OVER 50u" (1.27um) NICKLE UNDERPLATE IN CONTACT AREA. 20u" (0.5um) MIN-60u" (1.5um) MAX TIN-LEAD PLATING OVER 50u" (1.27um) MIN. NICKLE UNDERPLATE IN P.C. BOARD LEG AREA. 50u" (1.27um) MIN. NICKLE UNDERPLATE OVER REMAINING AREA.
- ⑦ CONTACT PLATING: 30u" (0.76um) GOLD PLATING OVER 50u" (1.27um) NICKLE UNDERPLATE IN CONTACT AREA. 20u" (0.5um) - 60u" (1.5um) TIN PLATING OVER 50u" (1.27um) - 100u" (2.54um) NICKEL UNDERPLATE IN P.C. BOARD LEG AREA. 50u" (1.27um) NICKEL UNDERPLATE OVER REMAINING AREA.
- ⑧ CONTACT PLATING: 30u" (0.76um) GXT PLATING OVER 50u" (1.27um) NICKLE UNDERPLATE IN CONTACT AREA. 20u" (0.5um) - 60u" (1.5um) TIN PLATING OVER 50u" (1.27um) - 100u" (2.54um) NICKEL UNDERPLATE IN P.C. BOARD LEG AREA. 50u" (1.27um) NICKEL UNDERPLATE OVER REMAINING AREA.
- ⑨ THE HOUSING WILL WITHSTAND EXPOSURE TO 260°C PEAK TEMPERATURE FOR 10 SECONDS IN A CONVECTION, INFRA RED VAPOR PHASE REFLOW OVEN.
- ⑩ THIS PRODUCT MEETS EUROPEAN UNION DIRECTIVES AND OTHER COUNTRY REGULATIONS AS DESCRIBED IN GS-22-008.

CONFIDENTIAL

mat'l. code		tolerances unless otherwise specified		CUSTOMER COPY		 www.fciconnect.com		
ltr	ecn no	dr	date	linear	.X ±.3	projection	title	
G					.XX ±.13	 MM	SCA-2 & FIBER CHANNEL 80 POS. RECEPT. ASSY	
				angles	.XXX ±.051		product family	code
				dr	0° ±2°		size	dwg no
				engr	A. RAISTRICK 4/16/96	scale	87566	
				chr	J. DAVID 4/16/96	3:1	3 of 3	
				appd	GL L00 1/04/05			
					JOEY NG 1/04/05			
sheet index	revision sheet						cage code	
							22526	